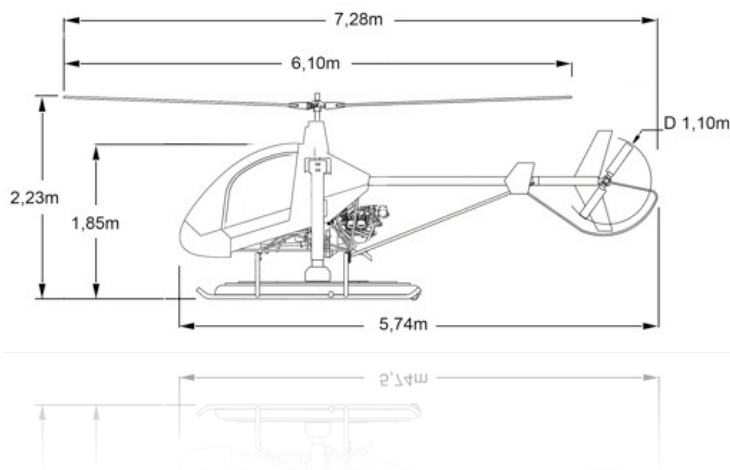




CICARÉ SVH4

Helicopter Flight Trainer

Characteristics	Seats	1	Type	4 cil. 4 Strokes. Air & Liquid cooled
Dimensions	Height	2,23m.	HP. Max. Cont.	100
	Width	3,40m.	Weight	Total
Rotor diam./blades	Main	6,10m./2 blades	Fuel	30 Kg.
	Tail	1,10m./2 blades	Autonomy	2.5 Hrs.
Engine	Mark	Rotax 912	Fuel Type	Gasoline
				95 octane



Basic Components of the SVH-4 TRAINER

- 1) Airframe made of SAE 4130 steel tubes.
 - 2) Skids made of SAE 4130 steel tubes.
 - 3) Main gearbox with commands system.
 - 4) Main rotor.
 - 5) Main rotor blades made of composite.
 - 6) Tail rotor gearbox.
 - 7) Tail rotor blades made of composite.
 - 8) Vertical stabilizer made of aluminum.
 - 9) Tail boom with shaft and tail rotor control system.
 - 10) Slipping platform.
 - 11) Support system with pneumatic cylinders.
 - 12) Cabin made of composite.
 - 13) Compass or turn indicator.
 - 14) Hour-meter.
 - 15) Standard instrument panel.
 - a) Engine water and oil temperature indicator.
 - b) Engine oil pressure.
 - c) Main gear box temperature indicator.
 - d) Engine-rotor dual tachometer.
 - e) Fuel level.
 - 16) Polyurethane paint.
 - 17) Protection system of Minimum pressure.
 - 18) Protection system of engine high temperature.
 - 19) Instructor's electronic control.
 - a) Engine stop.
 - b) Engine failure.
 - c) Protection system of high RPM.
 - d) Three independent lights of simulated alarm.
 - e) RPM simulator.
 - 20) Engine quick stop.
 - 21) Height limiter switch.
 - 22) Fuel tank made of stainless steel.
 - 23) Collective pitch control (dampener).
 - 24) Light of maximum height proximity (amber).
 - 25) Light of maximum height (red).
 - 26) Signal light for the instructor.
 - 27) Instruction manual.
 - 28) Maintenance manual.
 - 29) Parts catalog.
 - 30) Transport wheels.
- Protective boots for cabin, blade tips and rotors.

List Of Optionals

Communication Kit (Student -Instructor):